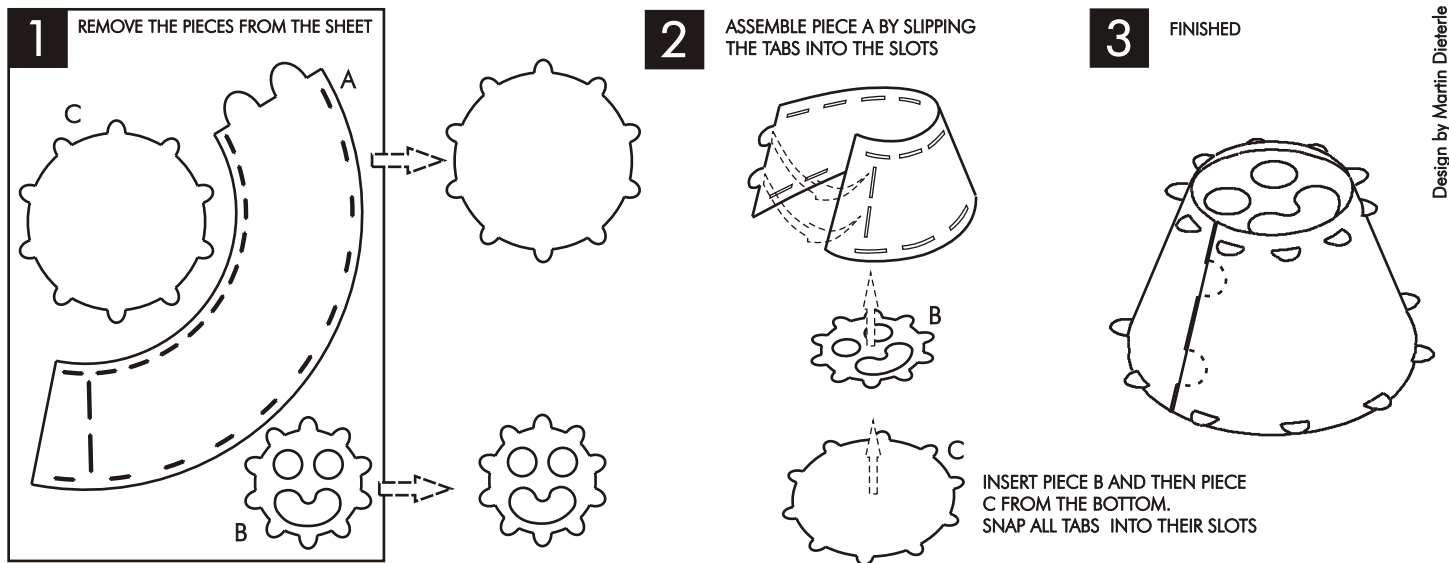


Peter Pen

HOW TO ASSEMBLE THE PENCIL HOLDER



Design by Martin Dieterle